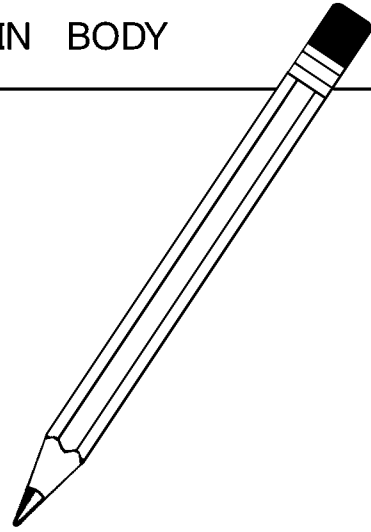


God says, "Flee from sin!"

Circle the hidden words in the puzzle.

FLEE FROM SIN BODY



I	F	L	E	E
F	R	O	M	S
S	I	S	I	N
B	O	D	Y	K

Ages 3+

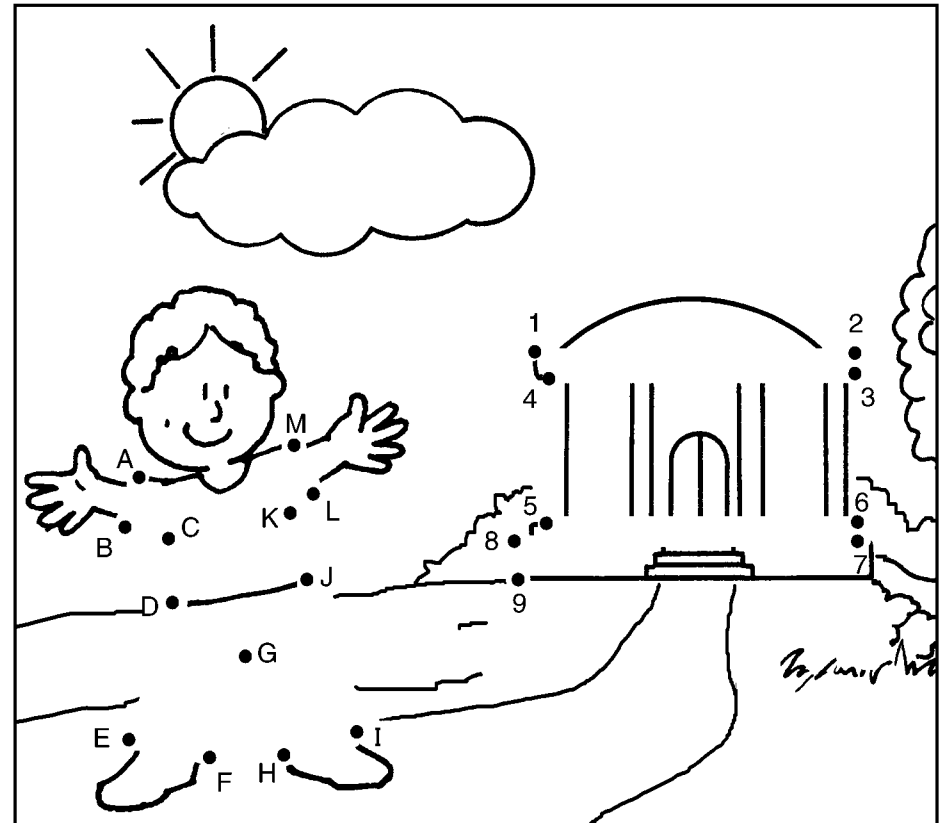
April 26, 2020 • 1 Corinthians 6:12-20

# Our Bodies are God's Temples

Our body is like a temple.

Connect the dots.

A B C D E F G H I J K L M 1 2 3 4 5 6 7 8 9



**westside**  
CHRISTIAN CHURCH

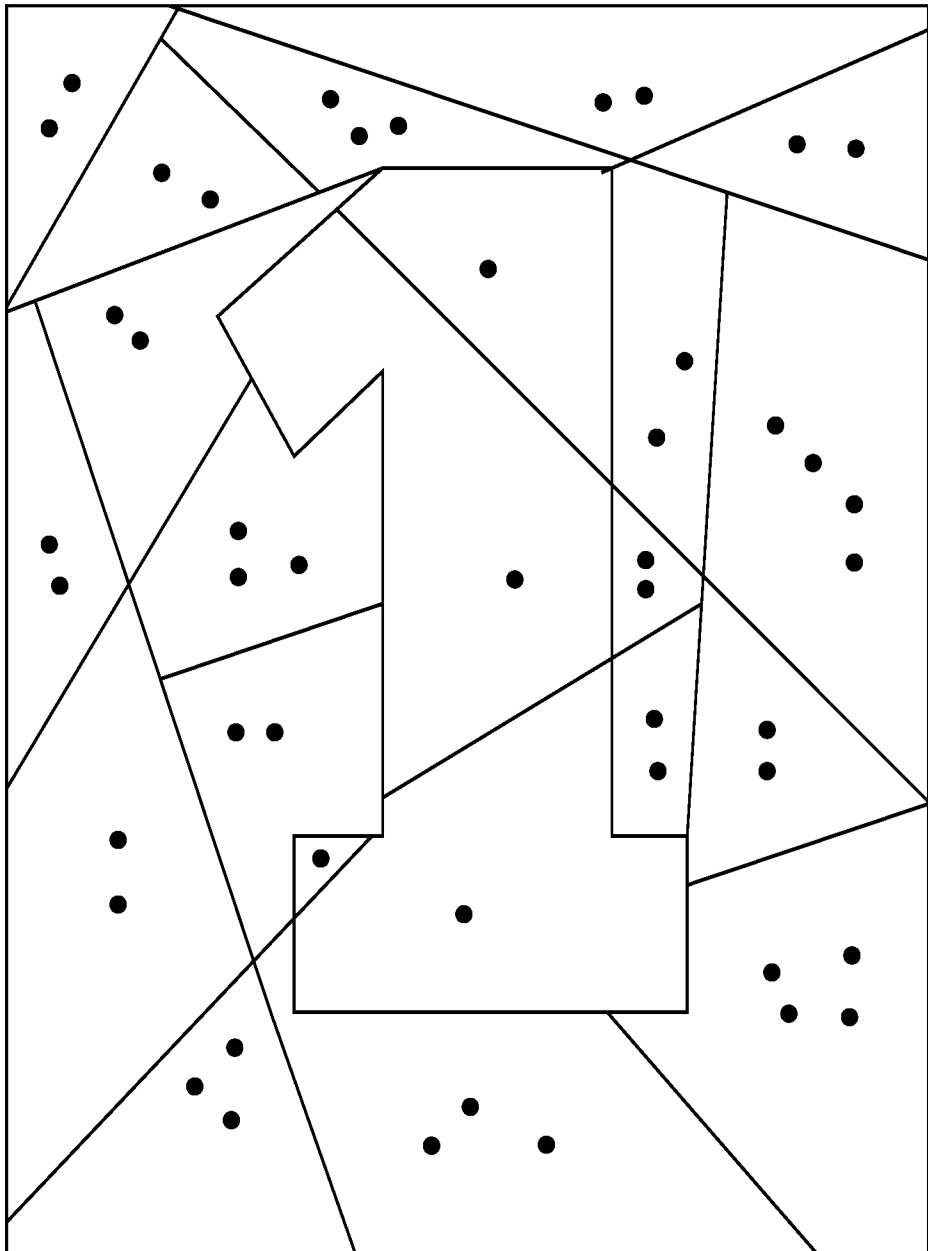
2000 Opportunity Dr. Ste. 150  
Roseville, CA 95678  
(916) 781-WORD  
www.westsideroseville.org

Enter your **SECRET CODE** to unlock games @  
[games.childrensbulletins.com](http://games.childrensbulletins.com)

**SECRET CODE**  
**JPJRS4**

# Become one with God.

Shade in the shapes that have ●.



# Honor God with your body.

Match the shapes.

